

KillTest

Mejor calidad Mejor servicio



Examen

<http://www.killtest.es>

Renovación gratuita dentro de un año

Exam : **HPE0-V14**

Title : Building HPE Hybrid IT
Solutions

Version : DEMO

1.A security client needs a surveillance solution to support 239 Cameras. They expect to generate 2PB of data and require a 10Gb network infrastructure in a single rack.

Which solution should you recommend to meet the customer requirements?

- A. HPE Moonshot
- B. HPE MSA
- C. HPE Apollo Servers
- D. HPE SimpliVity 380

Answer: C

Explanation:

Reference: <https://h20195.www2.hpe.com/v2/GetPDF.aspx/4AA0-6064ENW.pdf>

2.Refer to the exhibit.

Qty	Product Description
1	HPE StoreOnce 3620 24TB System
1	HPE StoreOnce Encryption E-LTU
1	HPE 3Y Foundation Care 24x7 SVC
1	HPE StoreOnce 3620 24TB System Support

A customer has been using VEEAM and the HPE StoreOnce 3620 shown in the exhibit to backup their environment. The customer’s legal team has asked to double their retention times for all backup sets, and they are starting to run out of space on the StoreOnce.

Which options could you recommend that the customer add to their existing configuration to accommodate the new requirement? (Select two. Each option represents a separate solution.)

- A. HPE StoreOnce Cloud Bank Storage
- B. HPE StoreOnce 3620 24TB Capacity Upgrade Kit
- C. HPE StoreOnce Gen4 16Gb Fibre Channel Network Card
- D. HPE StoreOnce Gen4 10/25Gb SFP Network card
- E. HPE D3710 Storage Enclosure

Answer: BD

Explanation:

Reference:

<https://www.hpe.com/uk/en/product-catalog/storage/disk-based-backup-systems/pip.specifications.hpe-storeonce-systems.1011014655.html>

3.A customer needs NFS access on a fiber channel array.

What must be included in the solution to meet this requirement?

- A. StoreEver
- B. Storage File Controller
- C. Smart Array Controller
- D. StoreOnce RMC

Answer: B

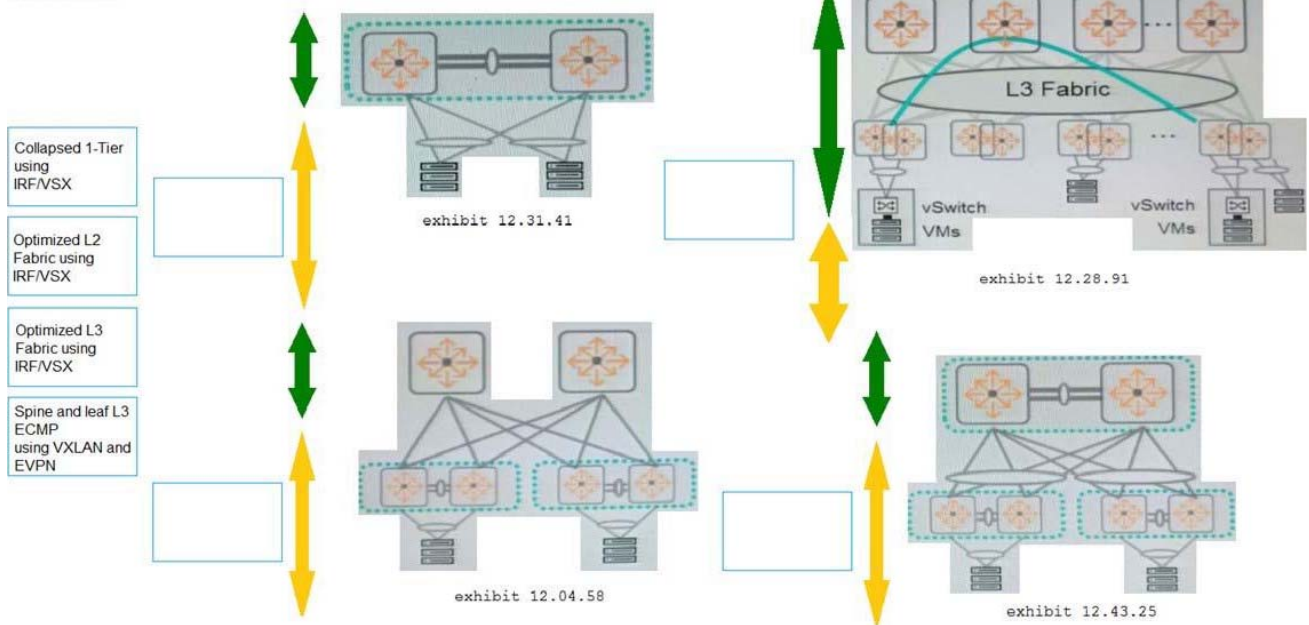
Explanation:

Reference: <https://h20195.www2.hpe.com/v2/gethtml.aspx?docname=a00047729enw>

4.DRAG DROP

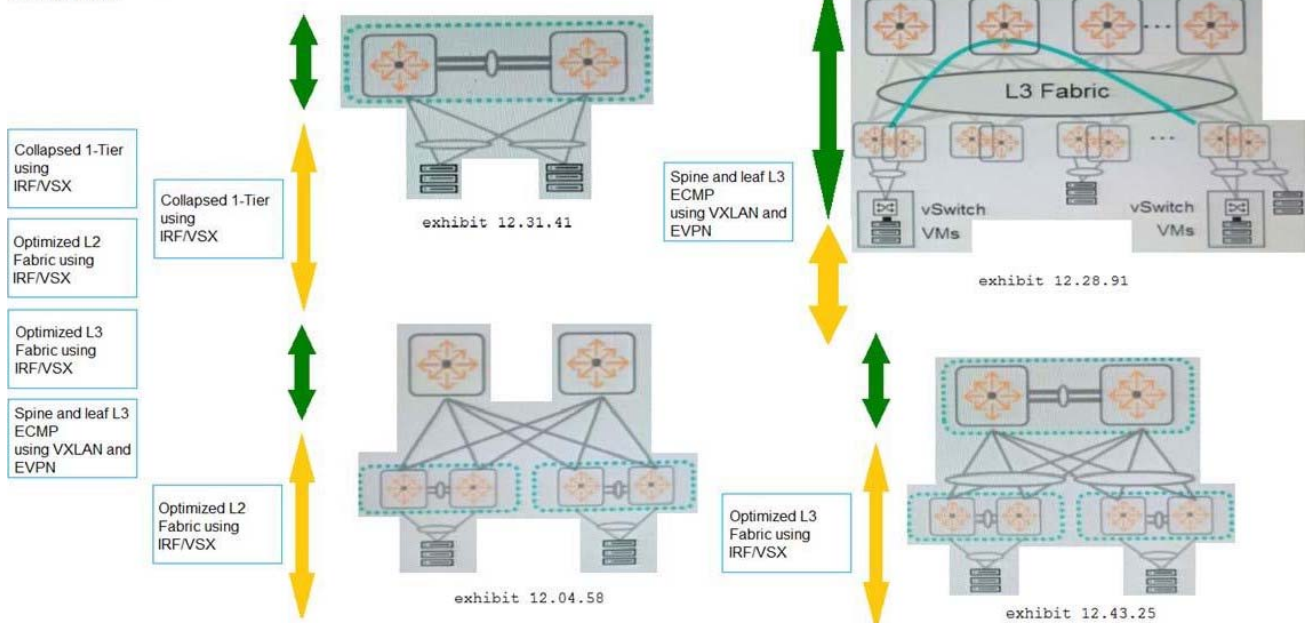
Match each customer data center architecture to its network topology.

Answer Area



Answer:

Answer Area



5. What is the correct cable type to use when connecting a pair of switches using Long Range (LR) Transceivers?

- A. Direct Attach Cable (DAC)
- B. Twin-Ax
- C. Single Mode Fiber
- D. Multi-mode Fiber

Answer: C

Explanation:

Single-mode uses a single relatively straight beam of light, transmitted directly through a core of glass (or

occasionally plastic) that's usually 50 microns across. Single-mode accommodates large power levels, and is almost exclusively used for Long Range (LR) applications.

Reference:

<https://info.hummingbirdnetworks.com/blog/answering-your-frequently-asked-questions-about-different-types-of-10-gigabit-cisco-sfp-units>